

# DAIKOOL DC Inverter Range



## DAIKOOL SPLIT UNITS DC inverter technology with R410a

### Features



#### Anti-Cold-Air(Heat Pump Only)

When starting the heating operation, the fan speed is regulated automatically from the lowest grade to the preset level, according to the temperature rising of evaporator. This function can prevent cold air blowing out at the beginning of the operation, which avoids the discomfort to the user.



#### Intelligent Defrosting

Normal defrost function can only be operated in certain time, but AUX commercial air conditioner's intelligent defrost can start automatically according to the surrounding condition.



#### Low Ambient Cooling

The air conditioner with a special built-in low ambient cooling can be used in temp. as low as  $-15^{\circ}\text{C}$  for cooling operation.



#### Washable Filter

Durable filter can stand much longer before cleaning.



#### Fresh Air Intake

Intake fresh air outside to improve room air quality.



#### Auto Restart

If the machine is suddenly shut down during operation, the unit will record the operating mode, and restore to it when the power is on.



#### 24-hour Timer

Users can set on the timer to turn on or off the machine any time in 24 hours, they can also turn on or off the machine by pressing the timing button on wireless remote controller.



#### Follow Me

A temperature sensor is built in the remote control. When you stay close to the remote control, the unit will automatically choose the operation mode achieve accurate and comfortable temperature control just like the air conditioner is following you.



#### Remote Control

Help users to control the air conditioner easily.



#### Self-diagnosis Function

Monitoring some abnormal operations or parts failures, which happens microcomputer of the air conditioner will switch off and protect the system automatically. Meanwhile, the error or protection code will be displayed on the indoor unit.





## DAIKOOL

**Duct Less wall Mounted dacorative units withDC inverter technolgy with Green Gas R410a**



Model	Indoor Unit				Power Supply		IFM	
	Hz	Voltage	Min.	Max.	MCA	MFA	KW	FLA
ARVWM-H022/4R1B	50	220-240V	198	254	0.25	10	0.019	0.20
ARVWM-H028/4R1B	50	220-240V	198	254	0.25	10	0.019	0.20
ARVWM-H036/4R1B	50	220-240V	198	254	0.25	10	0.019	0.20
ARVWM-H045/4R1B	50	220-240V	198	254	0.28	10	0.02	0.22
ARVWM-H056/4R1B	50	220-240V	198	254	0.28	16	0.02	0.22
ARVWM-H071/4R1B	50	220-240V	198	254	0.58	16	0.06	0.46

### Symbols:

MCA: Min. Circuit Amps (A)

MFA: Max. Circuit Breaker Amps

KW: Fan Motor Rated Output(kW)

FLA: Full Load Amps (A)

IFM:Indoor Fan Motor

### Note:

1. Min. and Max. Voltage:Units are suitable for use on electrical system where voltage supplied to unit terminals is not below or above listed rang limits.
2. Maximum allowable voltage unbalance between phases is 2%.
3.  $MCA = 1.25 \times FLA$
4. Select wire size based on the MCA.



[gazi@daikool.net](mailto:gazi@daikool.net)

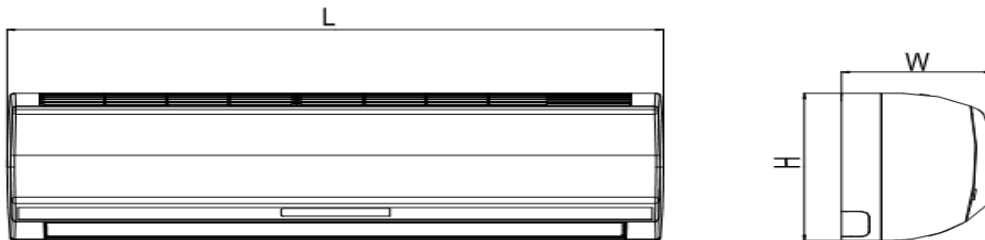
[www.daikool.net](http://www.daikool.net)

DAIKOOL Industries Jabal Ali free Zone UAE,  
 DAIKOOL Pakistan Arshad,Amjad&Abid Pvt Ltd Industrial area Pakistan Karachi  
 DAIKOOL Islamabad River garden Haris center first floor Highway Islamabad 0092-51-5404551-3

## Main Components

- 1- **Compressor** :- DAIKOOL use high quality DC compressor with R410a refrigerant
- 2- **Decorative In Door Unit**
- 3- **Green Gas R410a**
- 4- **Indoor copper coil**
- 5- **Remote controller wire/infrared**
- 6- **Indoor /outdoor motor**
- 7- **Precise sensor**
- 8- **High grate outdoor unit body material for weather protection**

## **Dimension:-**



Physical Dimension		ARVWM-H022/4R1B	ARVWM-H028/4R1B	ARVWM-H036/4R1B
Length	mm	880	880	880
Height	mm	286	286	286
Width	mm	203	203	203

Physical Dimension		ARVWM-H045/4R1B	ARVWM-H056/4R1B	ARVWM-H071/4R1B
Length	mm	1095	1095	1310
Height	mm	312	312	322
Width	mm	215	215	235

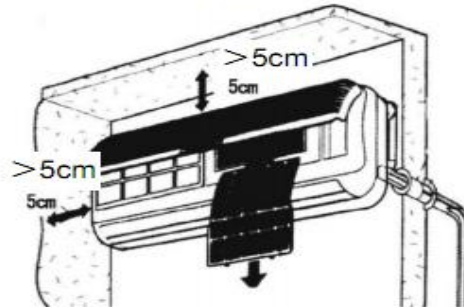
## DATA SHEET

Heating Capacity of Outdoor Dry/Wet Bulb Temperature and Indoor Dry Bulb Temperature or Power Consumption Correction Coefficient

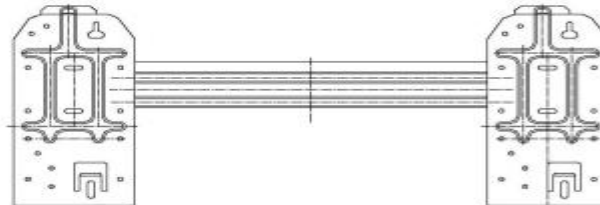
Outdoor ambient temperature of dry/wet bulb [°C]	capacity/power correction coefficient	Indoor back temperature of dry bulb [°C]		
		15	20	25
-20/-21	Heating capacity	0.58	0.53	0.49
	Power	0.50	0.56	0.62
-15/-16	Heating capacity	0.64	0.59	0.55
	Power	0.60	0.66	0.72
-10/-12	Heating capacity	0.71	0.66	0.62
	Power	0.72	0.78	0.84
-7/-8	Heating capacity	0.76	0.72	0.67
	Power	0.81	0.87	0.93
-1/-2	Heating capacity	0.79	0.74	0.70
	Power	0.86	0.92	0.98
2/1	Heating capacity	0.81	0.76	0.72
	Power	0.89	0.95	1.01
7/6	Heating capacity	1.04	1.0	0.96
	Power	0.94	1.0	1.06
10/9	Heating capacity	1.1	1.06	1.01
	Power	0.99	1.05	1.11
15/12	Heating capacity	1.16	1.12	1.07
	Power	1.05	1.11	1.17

## **Installation:-**

### **Spacing Reserved Between the Surrounding of Indoor Unit and Barrier**



### **Hoisting of Indoor Unit**



- ◇ Uplift panel of indoor unit, pull out the bulge in the middle of air filter downwards after uplifting;
- ◇ Completely snap sterilization net inside accessory bag into sterilization mounting support on air filter;
- ◇ Put back air filter in the original way, close the panel of indoor unit and tightly clamp;
- ◇ Push the lower left side and lower right side of indoor unit towards hanging plate until hanging hook inserts into groove and sends click sound.
  
- ◇ The wall for installing indoor unit should be firm to prevent vibration. Horizontally install hanging plate on the wall with four cruciform screws to keep laterally horizontal and longitudinally vertical.
- ◇ Drill a  $\Phi 70$  Auxiliary pipeline hole on lower left side or lower right side of hanging plate. The position of hole should slightly incline downwards.
- ◇ Hang indoor unit on hanging plate and move the unit to left or right to ensure hanging hook is correctly positioned on the hanging plate.

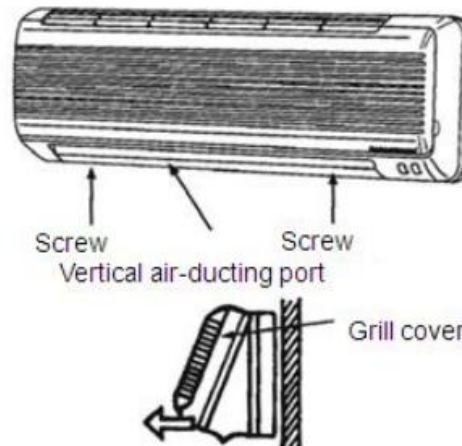


# DAIKOOL

Air Conditioners

In case of maintenance, remove grille from casing of the unit according to the following procedures:

- ◇ As shown in right diagram, remove two screw caps on both sides of the front grille and then screw down two fixing screws.
- ◇ Pull the lower end of grille cover towards oneself to remove it.
- ◇ Reinstall grille cover, then install the grille cover to proper position according to the reverse sequence of the above.
- ◇ Pour a glass of water into plastic drainage groove;
- ◇ Confirm if the water flows through the drainage outlet of indoor unit.



Pull the lower end of front grille towards oneself to remove the front grille